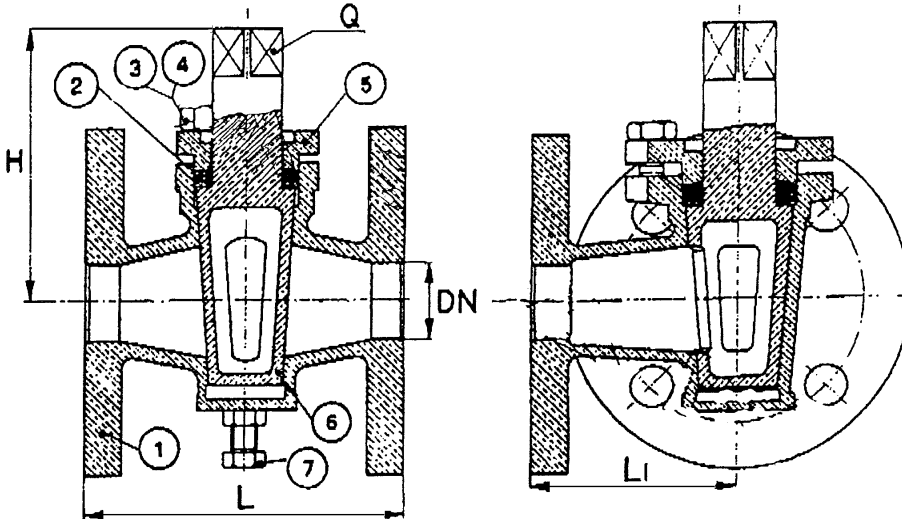




**Fig. 169-3-AC**  
**169-3-316**  
 - Serie PN 16 -  
 - Class NP 16 -

RUBINETTI a MASCHIO a 3 vie  
 con PREMISTOPPA BULLONATO

**THREE WAYS PLUG COCKS**  
**BOLTED GLAND**



PRESSIONE di ESERCIZIO MAX: 10 bar  
 MAX WORKING PRESSURE: 10 bar

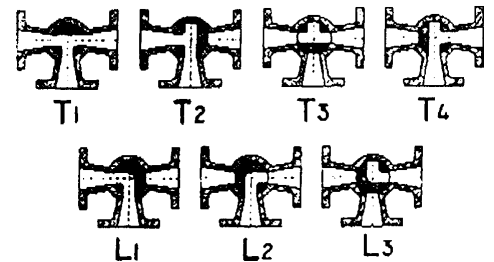


Fig. 169-3-AC		
1	Corpo Body	ASTM A 216 WCB
2	Baderna Packing	Graphite + TEFLON
3	Dado / Prigioniero Nut / Bolting	ASTM A194 2H / A 193 B7
5	Premistoppa Gland Flange	ASTM A 216 WCB
6	Maschio Plug	ASTM A 351 CF8M
7	Spingi maschio Bottom screw	ASTM A 193 B7
FLANGE FLANGES <input type="checkbox"/> PN 6 <input type="checkbox"/> PN 10 <input type="checkbox"/> PN 16 <input type="checkbox"/> ANSI 150 RF <input type="checkbox"/> ANSI 150 FF		

Fig. 169-3-316		
1	Corpo Body	ASTM A 351 CF8M
2	Baderna Packing	Graphite + TEFLON
3	Dado / Prigioniero Nut / Bolting	ASTM A194 GR.8 / A 193 B8
5	Premistoppa Gland Flange	ASTM A 351 CF8M
6	Maschio Plug	ASTM A 351 CF8M
7	Spingi maschio Bottom screw	ASTM A 193 B8
FLANGE FLANGES <input type="checkbox"/> PN 6 <input type="checkbox"/> PN 10 <input type="checkbox"/> PN 16 <input type="checkbox"/> ANSI 150 RF <input type="checkbox"/> ANSI 150 FF		

Note/notes:

Note/notes:

PROVA IDRAULICA: 16 bar  
 HYDRAULIC TEST: 16 bar

DN	inch mm.	1"	1"1/4	1"1/2	2"	2"1/2	3"	4"	5"	6"	8"
		25	32	40	50	65	80	100	125	150	200
L		155	180	180	203	240	260	315	350	400	500
L1		80	95	115	115	125	125	153	175	200	250
H		120	130	148	168	180	190	255	280	345	385
Q		19	24	26	30	34	39	52	52	62	62
Kg		5,9	11,3	11,8	15,4	24	29	39	64	92	146

**A richiesta, le seguenti esecuzioni speciali:**

- materiali corpo / trim: ASTM A 351 CF3M (=AISI316L),  
 ASTM A 494 Gr. CW (HASTELLOY C),  
 ASTM A 494 Gr. M 35 (MONEL),  
 ASTM A 351 Gr. CN 7M (ALLOY 20).
- con maniglia in ghisa

**On request, the following special executions:**

- body / trim material : ASTM A 351 CF3M (=AISI316L),  
 ASTM A 494 Gr. CW (HASTELLOY C),  
 ASTM A 494 Gr. M 35 (MONEL),  
 ASTM A 351 Gr. CN 7M (ALLOY 20).
- cast iron lever.