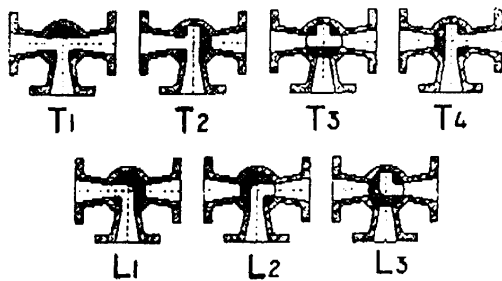
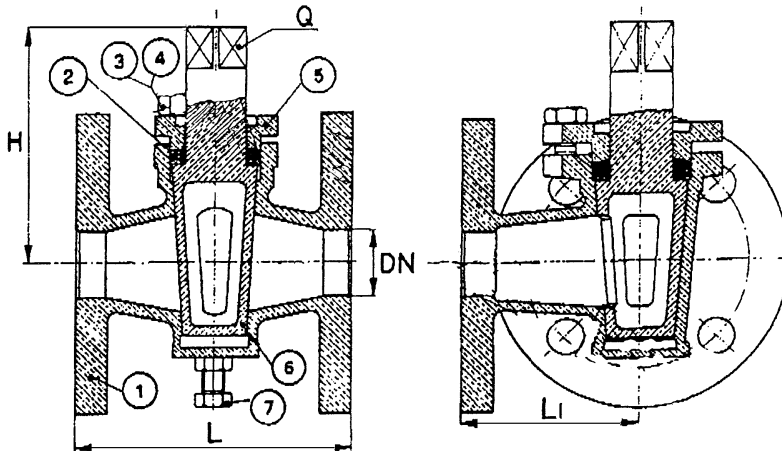




Fig. 169-3
- Serie PN 10 -
- Class NP 10 -

RUBINETTI a MASCHIO a 3 vie
 con PREMISTOPPA BULLONATO

THREE WAYS PLUG COCKS
BOLTED GLAND



| | | |
|--|-------------------------------------|--|
| 1 | Corpo Body | ASTM A126 B (= GG25) |
| 2 | Baderna Packing | Graphite + TEFLON |
| 3 | Dado / Prigioniero Nut / Bolting | ASTM A194 2H / A 193 B7 |
| 5 | Premistoppa Gland Flange | ASTM A126 B (= GG25) |
| 6 | Maschio Plug | <input type="checkbox"/> ASTM A126 B (= GG25) <input type="checkbox"/> BRASS ASTM B283 |
| 7 | Spingi maschio Bottom screw | ASTM A 193 B7 |
| FLANGE FLANGES | | <input type="checkbox"/> PN 6 <input type="checkbox"/> PN 10 <input type="checkbox"/> PN 16 <input type="checkbox"/> ANSI 150 RF <input type="checkbox"/> ANSI 150 FF |
| PROVA IDRAULICA: 16 bar HYDRAULICTEST: 16 bar | | |

Note/notes:

PRESSIONE di ESERCIZIO MAX: 10 bar
MAX WORKING PRESSURE: 10 bar

| DN | inch mm. | 1" | 1"1/4 | 1"1/2 | 2" | 2"1/2 | 3" | 4" | 5" | 6" | 8" |
|----|-------------|-----|-------|-------|-----|-------|-----|-----|-----|-----|-----|
| | | 25 | 32 | 40 | 50 | 65 | 80 | 100 | 125 | 150 | 200 |
| L | | 150 | 180 | 190 | 205 | 240 | 260 | 320 | 355 | 400 | 500 |
| L1 | | 75 | 90 | 95 | 102 | 120 | 130 | 160 | 177 | 200 | 250 |
| H | | 120 | 125 | 145 | 145 | 180 | 190 | 230 | 300 | 330 | 385 |
| Q | | 22 | 22 | 27 | 27 | 32 | 36 | 52 | 62 | 66 | 62 |

A richiesta, le seguenti esecuzioni speciali:

- materiali corpo / trim: ASTM A 351 CF3M (=AISI316L),
ASTM A 494 Gr. CW (HASTELLOY C),
ASTM A 494 Gr. M 35 (MONEL),
ASTM A 351 Gr. CN 7M (ALLOY 20).
- con maniglia in ghisa

On request, the following special executions:

- body / trim material : ASTM A 351 CF3M (=AISI316L),
ASTM A 494 Gr. CW (HASTELLOY C),
ASTM A 494 Gr. M 35 (MONEL),
ASTM A 351 Gr. CN 7M (ALLOY 20).
- cast iron lever.