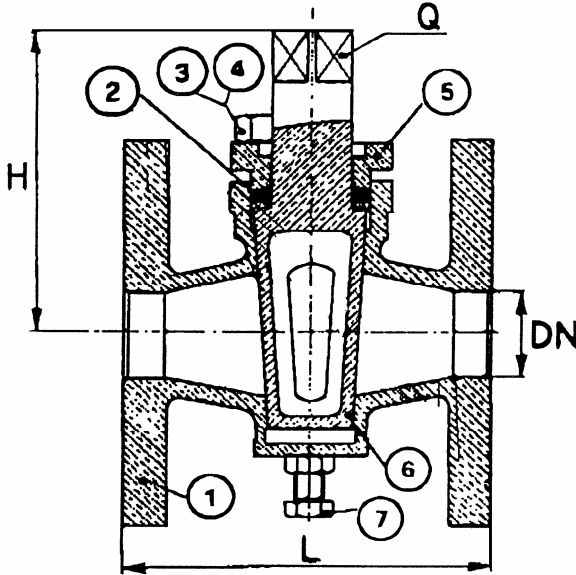




Fig. 169-2
- Serie PN 16 -
- Class NP 16 -

RUBINETTI a MASCHIO a 2 vie
 con PREMISTOPPA BULLONATO

TWO WAYS PLUG COCKS
BOLTED GLAND



1	Corpo Body	ASTM A126 B (= GG25)
2	Baderna Packing	Graphite + TEFLON
3	Dado / Prigioniero Nut / Bolting	ASTM A194 2H / A 193 B7
4		
5	Premistoppa Gland Flange	ASTM A126 B (= GG25)
6	Maschio Plug	<input type="checkbox"/> ASTM A126 B (= GG25) <input type="checkbox"/> BRASS ASTM B283
7	Spingi maschio Bottom screw	ASTM A 193 B7
FLANGE <input type="checkbox"/> PN 6 <input type="checkbox"/> PN 10 <input type="checkbox"/> PN 16 FLANGES <input type="checkbox"/> ANSI 150 RF <input type="checkbox"/> ANSI 150 FF		

Notel/notes:

PRESSIONE di ESERCIZIO MAX: 10 bar
MAX WORKING PRESSURE: 10 bar

DN	inch	1/2"	3/4"	1"	1"1/4	1"1/2	2"	2"1/2	3"	4"	5"	6"	8"
	mm.	15	20	25	32	40	50	65	80	100	125	150	200
L		85	95	105	120	140	160	230	260	320	355	400	500
H		95	105	115	140	150	165	185	200	220	250	285	385
Q		15	17	19	21	24	27	32	36	52	62	66	62

A richiesta, le seguenti esecuzioni speciali:

- materiali corpo / trim: ASTM A 351 CF3M (=AISI316L).
 ASTM A 494 Gr. CW (HASTELLOY C).
 ASTM A 494 Gr. M 35 (MONEL).
 ASTM A 351 Gr. CN 7M (ALLOY 20).
- con maniglia in ghisa

On request, the following special executions:

- body / trim material : ASTM A 351 CF3M (=AISI316L).
 ASTM A 494 Gr. CW (HASTELLOY C).
 ASTM A 494 Gr. M 35 (MONEL).
 ASTM A 351 Gr. CN 7M (ALLOY 20).
- cast iron lever.