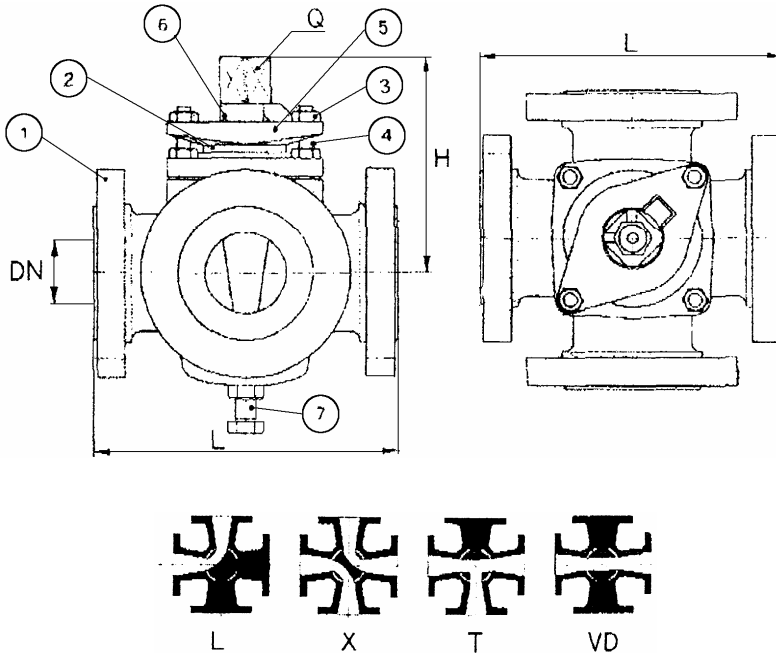




Fig. 169/4
- Serie PN 10 -
- Class NP 10 -

RUBINETTI a MASCHIO a 4 vie
 con PREMISTOPPA BULLONATO

DIVERTING PLUG VALVES - 4 WAYS
BOLTED GLAND



1	Corpo <i>Body</i>	ASTM A126 B (= GG25)
2	Baderna <i>Packing</i>	Graphite + TEFLON
3	Dado / Prigioniero <i>Nut / Bolting</i>	ASTM A194 2H / A 193 B7
4	Premistoppa <i>Gland Flange</i>	ASTM A126 B (= GG25)
6	Maschio <i>Plug</i>	BRASS ASTM B283
7	Spingi maschio <i>Bottom screw</i>	ASTM A 193 B7
FLANGE <input type="checkbox"/> PN 6 <input type="checkbox"/> PN 10 <input type="checkbox"/> PN 16 FLANGES <input type="checkbox"/> ANSI 150 RF <input type="checkbox"/> ANSI 150 FF		
PROVA IDRAULICA: 16 bar HYDRAULICTEST: 16 bar		

Note/notes: CONFORME ALLE NORME ANSI B16.34
 CONFORM TO ANSI B16.34

PRESSIONE di ESERCIZIO MAX: 10 bar
MAX WORKING PRESSURE: 10 bar

DN	inch mm.	1"1/4	1"1/2	2"	2"1/2	3"	4"	5"	6"	8"
		32	40	50	65	80	100	125	150	200
L		200	200	225	240	265	315	345	400	500
H		120	125	135	200	215	245	245	345	385
Q		32	32	36	36	40	52	62	62	62

A richiesta, le seguenti esecuzioni speciali:

- materiali corpo / trim: ASTM B62 C83600 (=BRONZO).
 ASTM A 351 CF3M (=AISI316L).
 ASTM A 494 Gr. CW (HASTELLOY C).
 ASTM A 494 Gr. M 35 (MONEL).
 ASTM A 351 Gr. CN 7M (ALLOY 20).
- con maniglia in ghisa

On request, the following special executions:

- body / trim material : ASTM B62 C83600 (=BRONZE).
 ASTM A 351 CF3M (=AISI316L).
 ASTM A 494 Gr. CW (HASTELLOY C).
 ASTM A 494 Gr. M 35 (MONEL).
 ASTM A 351 Gr. CN 7M (ALLOY 20).
- cast iron lever.