

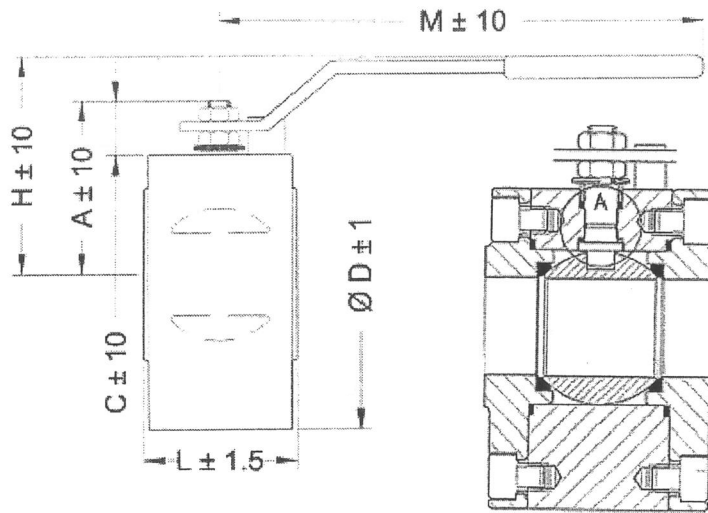
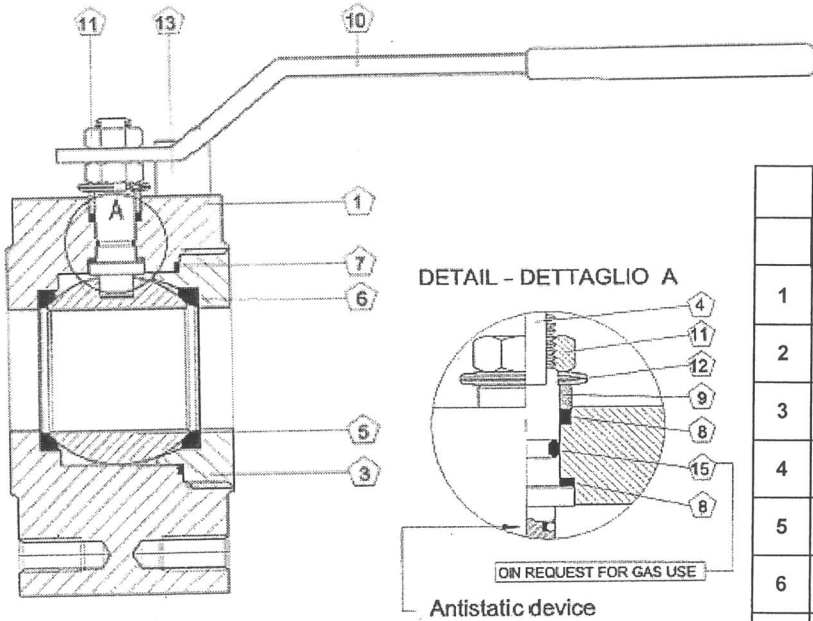


**Fig. 320**  
- Serie PN 16 -

*Fig.320*  
- Class PN 16 -

**VALVOLA A SFERA A DUE VIE**  
TIPO WAFER - PASSAGGIO TOTALE -

**TWO WAY BALL VALVE**  
WAFER TYPE - FULL BORE -



Descrizione e Materiali / Description and Materials		<input type="checkbox"/> ASTM A105	<input type="checkbox"/> S.S. 316
1	Corpo Body	ASTM A105	S.S. 316
2	Vite Bolt	8.8 Acc. zinc. Galvanized steel	8.8 Acc. zinc. Galvanized steel
3	Laterale Lateral	ASTM A105	S.S. 316
4	Stelo Stem	S.S. 316	S.S. 316
5	Sfera Ball	S.S. 304	S.S. 316
6	Seggio Seat	PTFE	PTFE
7	Guarnizione Corpo Body gasket	PTFE	PTFE
8	Guarnizione Stelo Stem seals	PTFE	PTFE
9	Premibussola Gland	Acciaio inox Stainless Steel	Acciaio inox Stainless Steel
10	Leva Lever	Acc. zinc. Galvanized steel	Acc. zinc. Galvanized steel
11	Dado leva e premib. Lever and Gland nut	Acc. zinc. Galvanized steel	Acc. zinc. Galvanized steel
12	Molle a tazza Socket springs	Acc. zinc. Galvanized steel	Acc. zinc. Galvanized steel
13	Spina di fermo Stop pin	Acc. zinc. Galvanized steel	Acc. zinc. Galvanized steel
15	"O" Ring stelo Stem "O" Ring	Gomma nitrilica / Viton Nitrile rubber / Viton	Gomma nitrilica / Viton Nitrile rubber / Viton

Note / notes :

DN	1/2"	3/4"	1"	1" 1/4	1" 1/2	2"	2" 1/2	3"	4"	5"	6"
L	35	42	46	55	66	72	98	120	140	177	210
H	78	87	91	106	111	120	157	161	181	205	220
Ø D	88	98	108	128	138	148	168	188	220	250	280
M	150	185	185	280	280	280	380	380	480	480	480

A richiesta :  
• PN 25 - PN 40

On request :  
• PN 25 - PN 40