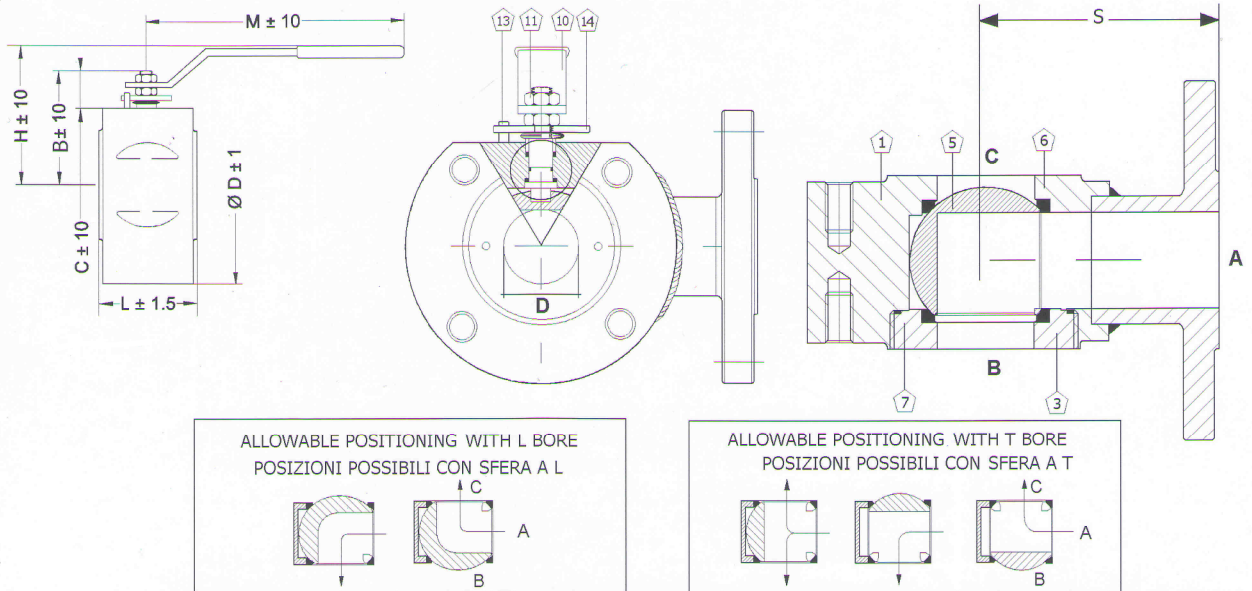
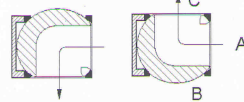




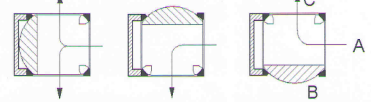
VALVOLA a SFERA CORPO PIATTO a 3 vie sfera a "L" o "T" THREE-WAY WAFER "L" or "T"



ALLOWABLE POSITIONING WITH L BORE
POSIZIONI POSSIBILI CON SFERA A L



ALLOWABLE POSITIONING WITH T BORE
POSIZIONI POSSIBILI CON SFERA A T



ESECUZIONE TANDEM
PER FILTRI DUPLEX O
SCAMBIATORI

TANDEM EXECUTION
FOR DUPLEX FILTERS
OR HEAT EXCHANGERS

15 Stem "O" Ring	Buna / Viton		
14 Stop Plate	Zinc Plated Carbon Steel		
13 Stop Pin	Zinc Plated Carbon Steel		
12 Socket Springs	Zinc Plated Carbon Steel		
11 Lever and Gland Nut	Zinc Plated Carbon Steel		
10 Hand Lever	Zinc Plated Carbon Steel		
9 Gland	Stainless steel		
8 Stem Seals	RPTFE		
7 Body Gasket	RPTFE		
6 Seat	PTFE / RPTFE		
5 Ball	AISI304	AISI304	SS. F 316
4 Stem	F304	F304	SS. F 316
3 Lateral	ASTM A 105	LF2	SS. F 316
*2B Bolt	8.8 ZINC	L7	8.8 ZINC
1 Body	ASTM A 105	LF2	SS. F 316
N°	PART NAME	MATERIAL	

* On request: B8M

DIMENSIONS TABLE - TABELLA DIMENSIONALE									
DN	15	20	25	32	40	50	65	80	100
NPS	1/2"	3/4"	1"	1"1/4	1"1/2	2"	2"1/2	3"	4"
ØD	88	98	108	128	138	153	168	188	220
H	78	87	91	106	111	120	157	161	181
L	35	42	46	55	66	72	98	120	140
M	145	185	185	270	270	270	355	355	460
B	50	60	65	80	90	96	132	139	160
C	19	23	23	29	30	32	53	48	55
S	85	90	90	105	120	130	150	175	185